

Communications & Power Industries Coaxial Magnetron



FEATURES:

- Frequency 9.05 – 10.0 GHz
- Peak power output 130 kW
- Duty cycle .0011
- Anode voltage 18 kV
- Anode current 18 amps
- Pulse width 1.4 microseconds
- Heater 13.8 volts @ 3.1 amps
- Air cooled
- Mechanically tunable

BENEFITS:

- Long life
- Exceptional frequency stability

APPLICATIONS:

- Air traffic control radars
- Weather radars

CPI X-Band 130 kW Coaxial Magnetron: VMX1033

Electrical Specifications

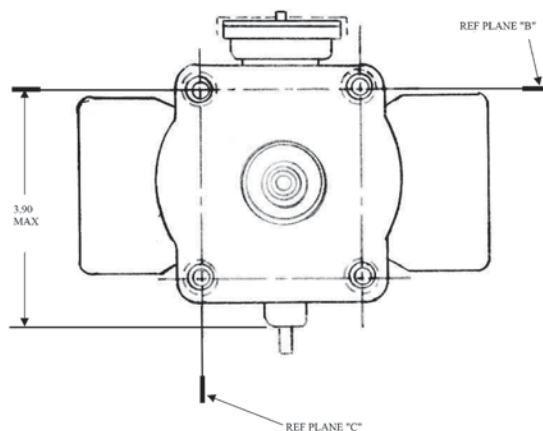
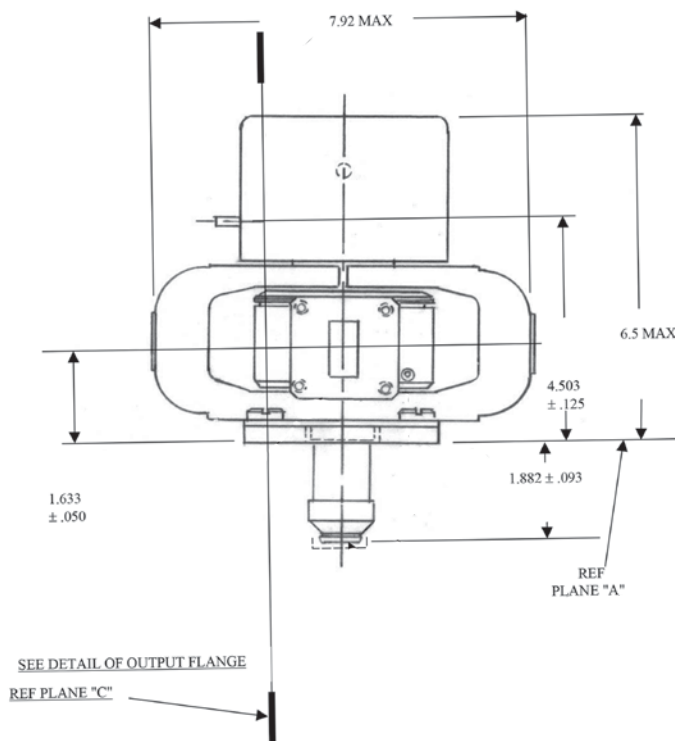
Frequency	9.05 – 10.0 GHz
Peak Power Output	130 kW
Average Power Output	0.143 kW
Pulse Voltage	16.7 – 18.7 kV
Peak Anode Current	22 A
Average Anode Current	13.5 mA
Pulse Width	1.4 μ S
Duty Cycle	0.0011
Maximum Filament Voltage	15 V
Maximum Filament Current	3.6 A
Minimum Warm-Up Time	150 S
Maximum Load VSWR	1.5:1

Mechanical and Environmental Specifications

Cooling	Forced air
Maximum Body Temperature	125°C
Mounting Position	Any
Support	Mounting flange
Coupling	1 UG 137 B/U
Tuning	155 turns
Weight	13.5 lbs.(6.12 kg)

With a history of producing high quality products, we can help your with magnetron.

Contact us at BMDMarketing@cpii.com or call us at +1 978-922-6000.



Beverly Microwave Division
150 Sohier Road
Beverly, Massachusetts
USA 01915

tel +1 978-922-6000
email BMDMarketing@cpii.com
fax +1 978-922-8914
web www.cpii.com

For more detailed information, please refer to the corresponding CPI technical description if one has been published, or contact CPI. Specifications may change without notice as a result of additional data or product refinement. Please contact CPI before using this information for system design.

©2020 Communications & Power Industries LLC. Company proprietary; use and reproduction is strictly prohibited without written authorization from CPI.